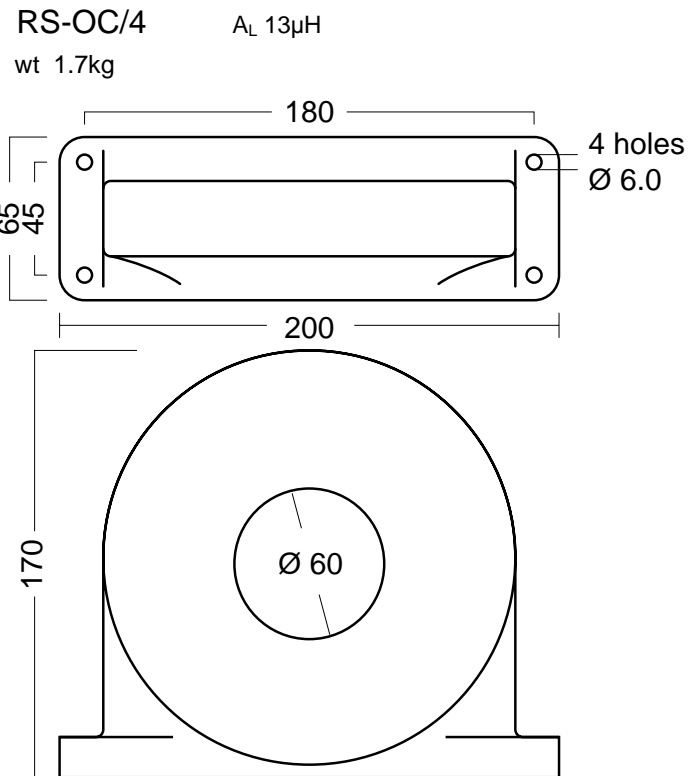
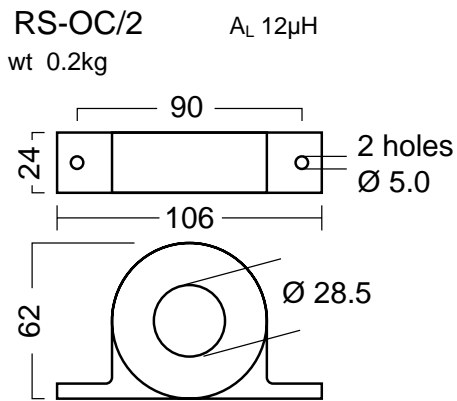
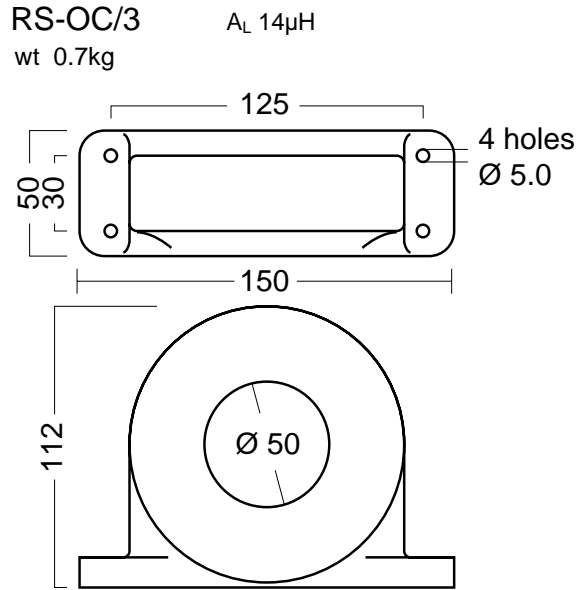
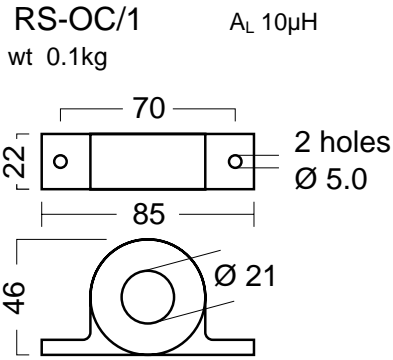


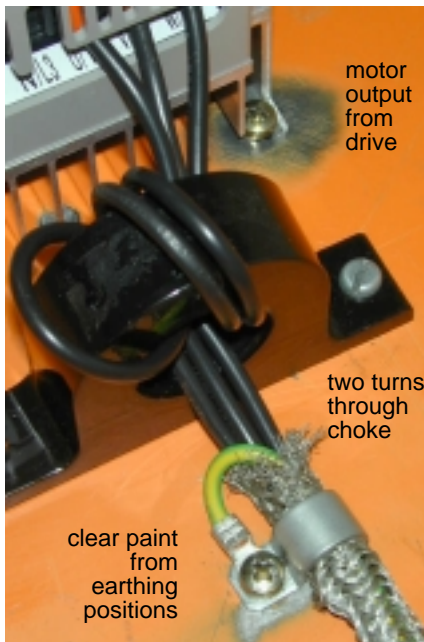
DIMENSIONS

ABMESSUNGEN

DIMENSIONS



TYPICAL INSTALLATION



The picture shows typical installation of an OC/2 choke.

The phase wires only of the drive output cable are passed through the choke twice.

The cable screen/armour is not passed through the choke as it is earthed at both panel and motor ends.

The screen can be passed through the choke on control cables **ONLY IF** it is not earthed at one end.